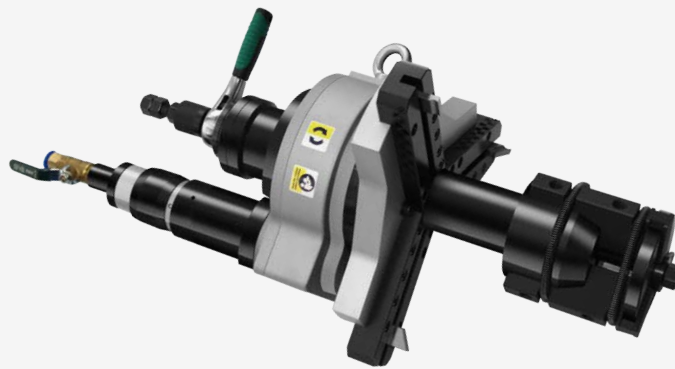




## BT SERIES - ID BEVELING TOOL

- 5 standard models from 0.6"-14"
- Pneumatic or electric drive options available
- 3 leg wedge system self-centers in the pipe for accurate machining
- Ideal for beveling, facing or counterboring pipe or tubing
- Create a perfect weld prep in just minutes





MODEL	BT1	BT3	BT6	BT8	BT14
<b>Machine Performance Ranges</b>					
Working Range Inside Diameter To Outside Diameter	16-33.4mm	25-88.9mm	60-168.2mm	65-219.0mm	145-355.6mm
	0.62-1.3"	1-3.5"	2.3-6.5"	2.5-8.6"	5.7-14"
Wall Thickness	≤8mm	≤15mm	≤20mm	≤20mm	≤20mm
	≤0.3"	≤0.6"	≤0.78"	≤0.78"	≤0.78"
Rotation Speed Pneumatic	0-66RPM	0-66RPM	0-61RPM	0-50RPM	0-18RPM
Rotation Speed Electric	0-65RPM	0-65RPM	0-65RPM	0-24RPM	0-20RPM
<b>Rotational Drive System</b>					
<b>Pneumatic Motor</b>					
Recommended Air Pressure	90PSI	90PSI	90PSI	90PSI	90PSI
	6.2BAR	6.2BAR	6.2BAR	6.2BAR	6.2BAR
Recommended Volume	30CFM	30CFM	30CFM	41CFM	41CFM
	0.9m3/Min	0.9m3/Min	0.9m3/Min	1.2m3/Min	1.2m3/Min
<b>Electric Motor</b>					
Electric Motor	BOSH, 1.38HP(1.05kw), 50/60HZ,220-240V			1.6HP(1.2kw)50/60HZ	2HP(1.5kw)50/60HZ
<b>Measure</b>					
<b>Machine Weight</b>					
Pneumatic, Complete Machine	15.4lbs	18.7lbs	35.2lbs	57.2lbs	101.2lbs
	7kgs	8.5kgs	16kgs	26kg	46kgs
Electric, Complete Machine	17.6lbs	19.8lbs	37.4lbs	61.6lbs	105.6lbs
	8kgs	9kgs	17kgs	28kg	48kg
<b>Shipping Weight</b>					
Pneumatic	14kg(30.8lbs)	15kgs(33lbs)	29kgs(63.8lbs)	41kg(90.2lbs)	68kgs(149.6lbs)
Electric	16kg(35.2lbs)	16kgs(35.2lbs)	31kgs(68.2lbs)	44kg(96.8lbs)	70kgs(154lbs)
<b>Dimensions</b>					
Length (L x W x H)	21*16*6.7"	21*16*6.7"	22*21.6*10"	22*11*10"	32.6*17*16"
	540*410*170mm	540*410*170mm	560*550*250mm	650*280*250mm	830*430*410mm