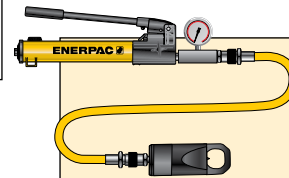


▼ Shown from left to right: NC3241, NC1019, NC1924



The Safest and Easiest Way to Remove Corroded and Frozen Nuts

- Compact and ergonomic design, easy to use
- Unique angled head allows flush access
- Two blade design (NC-D models) for time saving operation – nuts are split from two sides in one action
- Single-acting, spring return cylinder
- Heavy-duty chisels can be reground
- Nut Splitters include spare chisel, spare set screw and wrench used to secure the chisel
- A CR400 coupler is standard



Tool-Pump Kits

Hydraulic Nut Cutters are available as sets (pump, tool, gauge, adaptor and hose) for your ordering convenience.

Hydraulic Nut Cutters are available as sets (pump, tool, gauge, adaptor and hose) for your ordering convenience.

Nut Splitter Model Number	Hand Pump Model Number	Nut Splitter Set Model Number
NC1924	P392	STN1924H
NC2432	P392	STN2432H
NC3241	P392	STN3241H

▼ Enerpac hydraulic nut splitters – the safest and easiest way to remove corroded and frozen nuts



High-Pressure Hoses

Enerpac offers a complete line of high-quality hydraulic hoses. To ensure the integrity of your system, specify only genuine Enerpac hydraulic hoses.

Page: 148



GA45GC Gauge Adaptor

Protect yourself from system overloading by simply ordering one part number for a pre-assembled gauge, adaptor block and coupler.

Page: 162

Single-Acting Hydraulic Nut Splitters



Frozen or Corroded Nuts

Often nuts are difficult to remove, while loosening using tightening tools is possible, it generally requires larger equipment and is time consuming.

The use of cutting torches or hammers and chisels can cause damage to the joint components, requires significantly longer setup and operational time, and can present a potential safety risk.

Hydraulic Nut Splitters

Nut splitting with the Enerpac Hydraulic Nut Splitters is the safest method. It takes less time and avoids costly damage to joint components.

The head design fitted with heavy-duty chisels permits the splitting of nuts on a wide variety of applications. With the two blade models nuts are split from two sides in one action.

NC, STN Series



Bolt Range:

0.31 - 1.88 inches

Hexagon Nut Range:

0.50 - 2.88 inches

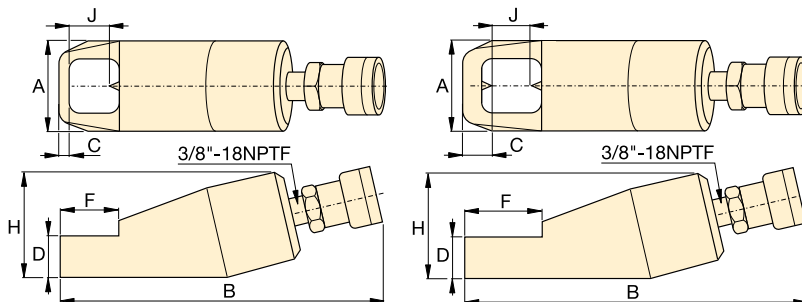
Capacity:

5 - 90 tons

Maximum Operating Pressure:

10,000 psi

For Nut Splitter Model No.	Replacement Chisel Model Number	
	Moving	Static
NC1019	NCB1019	–
NC1924	NCB1924	–
NC2432	NCB2432	–
NC3241	NCB3241	–
NC4150	NCB4150	–
NC5060	NCB5060	–
NC6075	NCB6075	–
NC1924D	NCB1924	NCB1924D
NC2432D	NCB2432	NCB2432D
NC3241D	NCB3241	NCB3241D



Single Blade Models (NC)

Double Blade Models (NC-D)



	Bolt Range	Hexagon Nut Range	Maximum Cutting Force	Oil Capacity	Model Number	Dimensions (in)							Weight
						A	B	C	D	F	H	J	
	0.31-0.50	0.50-0.75	5	0.92	NC1019	1.57	6.69	0.27	0.75	1.10	1.89	0.83	1.8
	0.50-0.63	0.75-0.94	10	1.22	NC1924 *	2.17	7.52	0.32	1.02	1.57	2.44	0.98	4.4
	0.63-0.88	0.94-1.13	15	3.66	NC2432 *	2.52	8.74	0.39	1.22	2.01	2.83	1.30	6.6
	0.88-1.13	1.13-1.56	20	4.88	NC3241 *	2.95	9.61	0.67	1.42	2.60	3.46	1.69	9.7
	1.13-1.38	1.56-2.00	35	9.46	NC4150	3.70	11.34	0.83	1.77	2.91	4.13	2.13	18.0
	1.38-1.50	2.00-2.25	50	14.64	NC5060	4.17	12.52	0.91	2.13	3.54	5.04	2.36	26.0
	1.50-1.88	2.38-2.88	90	30.00	NC6075	6.14	15.47	1.02	2.83	4.33	7.13	3.15	75.1
	0.50-0.63	0.75-0.94	10	1.22	NC1924D	2.13	6.61	0.87	0.98	1.97	2.60	1.02	8.4
	0.63-0.88	0.94-1.13	15	3.66	NC2432D	2.52	10.83	0.98	1.22	2.56	3.07	1.30	11.9
	0.88-1.13	1.13-1.56	20	4.88	NC3241D	3.03	12.00	1.22	1.46	3.15	3.54	1.69	15.9

Ordering Notes: Maximum allowable hardness to split is HRc-44. Not to be used on square nuts or stainless steel.

* Available as Tool-Pump set, see note on page 334.