



FLANGE TOOL INNOVATION

PRODUCT DATA SHEET

SW15TE HYDRAULIC FLANGE SPREADER

MINI KIT | STANDARD KIT | MAXI-KIT

SPREADING FORCE:

with 10,000 psi (700 bar) hydraulic pressure applied:
15.5T (155kN) per tool

It is recommended that tools are used in pairs giving:
2 x 15.5 = 31T (310kN)

TOOL WEIGHT = 7.0kg (15.4lb)

KIT COMPONENTS | MINI

- 1 x SW15TE Wedgehead
- 1 x 10,000 psi (700 bar) Hydraulic Cylinder
- 1 x Safety Block
- 1 x Instruction Manual
- 1 x Cardboard Packaging
- Product Code: SW15TEMIN

KIT COMPONENTS | STD

- 1 x SW15TE Wedgehead
- 1 x Pair of Stepped Blocks
- 1 x 10,000 psi (700 bar) Hydraulic Hose, 2m (78.75")
- 1 x 10,000 psi (700 bar) Hydraulic Cylinder
- 1 x 10,000 psi (700 bar) HP350S Sealed Hand Pump with Gauge
- 1 x Safety Block
- 1 x Instruction Manual
- 1 x Carry Case
- Product Code: SW15TESTDSPB

KIT COMPONENTS | MAXI

- 2 x SW15TE Wedgehead
- 2 x Pair of Stepped Blocks
- 2 x 10,000 psi (700 bar) Hydraulic Hose, 2m (78.75")
- 2 x 10,000 psi (700 bar) Hydraulic Cylinder
- 1 x 10,000 psi (700 bar) HP350D Sealed Hand Pump with Gauge
- 2 x Safety Block
- 1 x Instruction Manual
- 1 x Carry Case
- Product Code: SW15TEMAXSPB

WEIGHTS AND DIMENSIONS

Tool Weight= 7 kg (15.4 lbs)
Safety Block= 0.5 kg (1.1 lbs)
Gross Weight = 7.5 kg (16.5 lbs)

Tool Weight= 7 kg (15.4 lbs)
Carry Case= 6 kg (13.2 lbs)
Gross Weight = 19.5 kg (43 lbs)

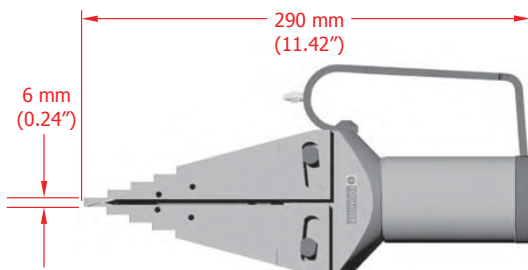
Tool Weight= 7 kg (15.4 lbs)
Carry Case= 6 kg (13.2 lbs)
Gross Weight = 31 kg (68.3 lbs)

Packaging Dimensions:
190 x 180 x 320mm (7.48" x 7.09" x 12.60")

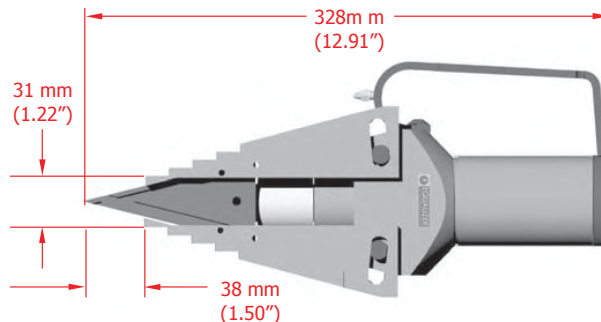
Carry Case Dimensions:
920 x 520 x 210mm (36.22" x 20.47" x 8.26")

Carry Case Dimensions:
920 x 520 x 210mm (36.22" x 20.47" x 8.26")

TOOL DIMENSIONS - CLOSED



TOOL DIMENSIONS - OPEN



info@equalizerinternational.com
www.equalizerinternational.com

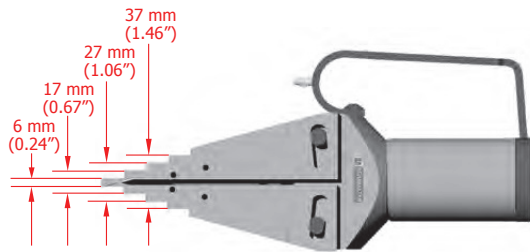
SW15TE

HYDRAULIC FLANGE SPREADER

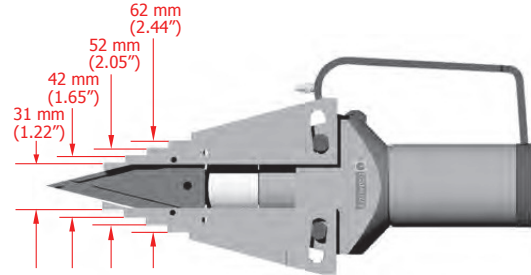


FLANGE TOOL INNOVATION

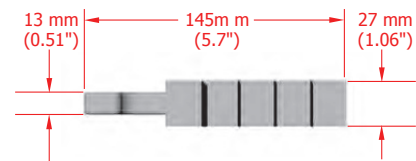
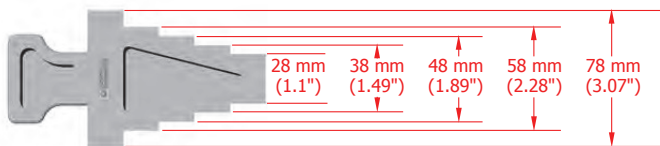
TOOL DIMENSIONS - CLOSED



TOOL DIMENSIONS - OPEN



SAFETY BLOCK DIMENSIONS



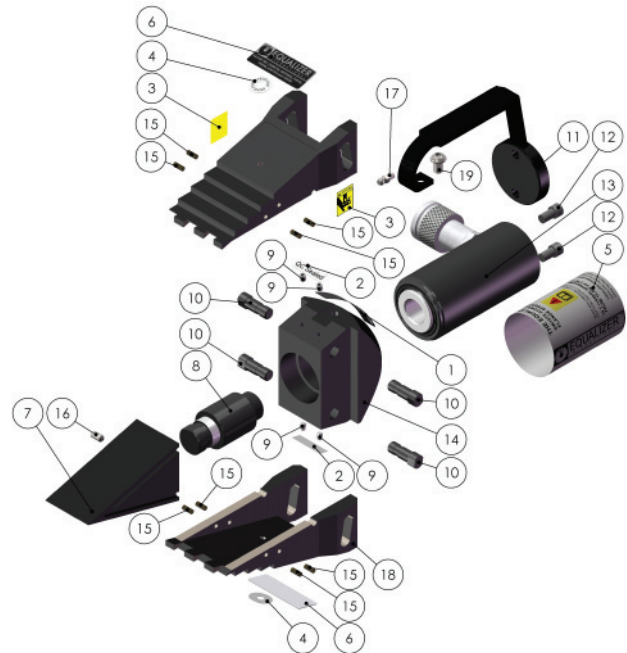
RANGE OF APPLICATION

All flanges with a minimum access gap of 6mm (0.24")

PARTS LIST AND EXPLODED DRAWING

| ITEM | PART No. | DESCRIPTION | QUANTITY |
|------|-----------|---------------------------------------|----------|
| 01 | | SERIAL NO STICKER | 01 each |
| 02 | | QC SEALED STICKER | 02 each |
| 03 | | PINCH POINT STICKER | 02 each |
| 04 | | GREASE POINT STICKER | 02 each |
| 05 | | CYLINDER STICKER | 01 each |
| 06 | | BADGE LOGO | 02 each |
| 07 | 300101-01 | WEDGE | 01 each |
| 08 | 300301-01 | PUSH PIN | 01 each |
| 09* | | M5X6 SCKT SCREW | 04 each |
| 10* | | SLIDE PIN | 04 each |
| 11 | 300701-01 | HANDLE | 01 each |
| 12* | | BASE SCREWS FOR HANDLE | 02 each |
| 13 | 301003-01 | HYDRAULIC CYLINDER | 02 each |
| 14 | 301102-01 | MAIN BODY | 01 each |
| 15* | | SPIROL PIN | 08 each |
| 16* | | M6X12 GRUB SCREW | 01 each |
| 17 | 310601-01 | M6 GREASE NIPPLE | 01 each |
| 18 | 315401-01 | FORGED JAW | 02 each |
| 19* | | RETAINING SCREW FOR HANDLE | 01 each |
| 20 | 301403-01 | CYLINDER REPAIR KIT (Not Illustrated) | 01 kit |

*Items 09,10,12,15,16 and 19 are supplied in repair kit part no: 310301-01



STEPPED BLOCKS

Stepped Blocks can be used singly or in pairs to increase the maximum spreading distance of the SW15TE to 81 mm



STEPPED BLOCK KIT

(AVAILABLE AS AN OPTION)

KIT COMPONENTS

- 2 x Stepped Blocks
 - 2 x M6 x 10 mm Countersunk Screws
 - 1 x 4 mm Hex Key
- Kit Part No: 303301-01

WEIGHTS AND DIMENSIONS

Stepped Block = 0.52 kg (1.14 lb)

GROSS WEIGHT = 1.5 kg (3.5 lb)

